



**PN 16 - DN 80...100**

KAT-A 5210-EN

**Product characteristics and benefits**

- Fitting in accordance with EN 546
- With socket connection on the side and upper flange end acc. to EN 1092-2
- Lateral connection to connect to VAG BAIO®plus System parts or pipe spigot ends
- Vertical flange connection for hydrants
- Double function socket type for internal and external bayonet locking acc. DIN 28603
- Pull-out proof due to positive connection and friction-locked connection
- Short assembly times due to easy assembly or disassembly
- Stress-free laying due to flexibility of inclination up to +/- 3°
- Variable use for ductile cast iron pipes or plastic pipes due to easy replacement of sealing ring

**Materials**

- Fitting: Ductile cast iron EN-JS 1030 (GGG-40)

**Corrosion protection**

- Inside and outside epoxy coating

**Versions**

- Standard version as described
- With three horizontal house connections G 1 1/2"
- With TYTON sealing ring (for ductile cast iron pipes)
- With GKS sealing ring (for PVC and PE-HD pipes)

**Field of Application**

- Underground installation
- Chamber installation



**Tests and approvals**

- DVGW tested and registered

**Note**

When only one horizontal house connection is in use the others has to be closed with a conventional plug.

For proper installation and safe operation please follow the installation and operation instructions:

KAT-B 5210

**Field of application**

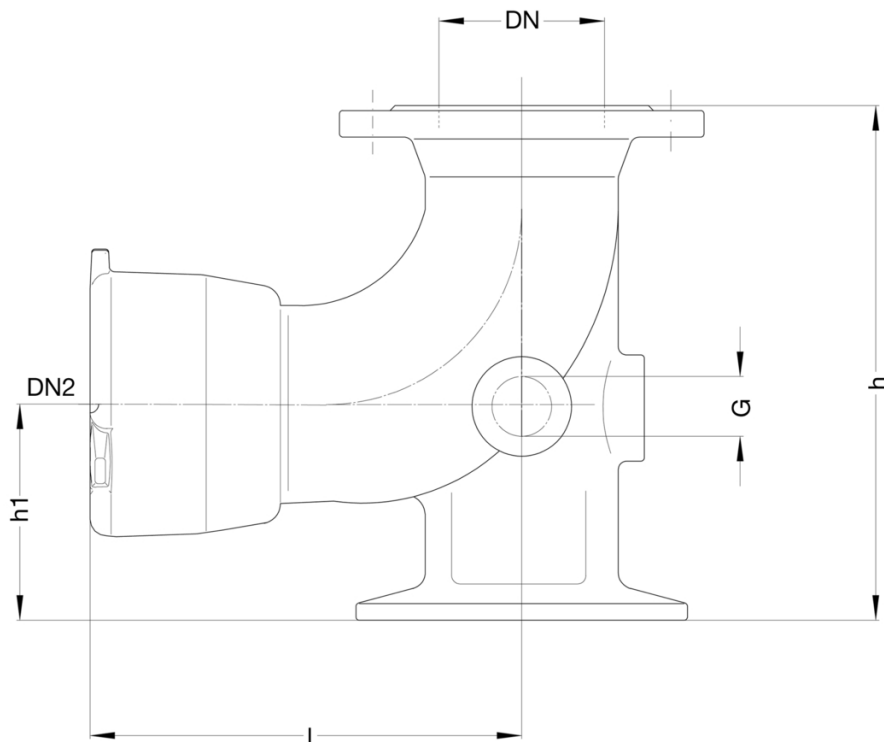
DN	PN	Maximum operating pressure [bar]	Maximum operating temperature for neutral liquids [°C]
80...100	16	16	50

**Pressure test to EN 545**

Test pressure with water [bar]
25



Drawing



Technical data

PN 16

DN	80	80	100
DN2	80	100	100
h	[mm] 260	285	305
h1	[mm] 120	140	130
l	[mm] 215	260	260
G Screw connection	[inch] 1 1/2"	1 1/2"	1 1/2"
Weight approx.	[kg] 16.50	18.00	20.00
Volume approx.	[m <sup>3</sup> ] 0.010	0.010	0.010

G = For the type with lateral branch