



PN 16 - DN 100...150

KAT-A 5210-DVS

Product characteristics and benefits

- Fitting in accordance with EN 546
- With socket connection on both sides
- For easy dismantling of BAIO®plus Gate Valves for pipe rehabilitation
- Separable pipe coupling
- Separable coupling consisting of two BAIO®U-parts and outer lockable centre part
- Double function socket type for internal and external bayonet locking acc. DIN 28603
- Corrosion-resistant due to boltless connection
- Pull-out proof due to positive connection and friction-locked connection
- Short assembly times due to easy assembly or disassembly
- Stress-free laying due to flexibility of inclination up to +/- 3°
- Variable use for ductile cast iron pipes or plastic pipes due to easy replacement of sealing ring
- Easily removable connection

Materials

- Body: Ductile cast iron EN-JS 1030 (GGG-40)
- Sealing: EPDM
- Tension ring: Ductile cast iron EN-JS 1030 (GGG-40)

Corrosion protection

- Inside and outside epoxy coating

Versions

- Standard version as described
- With TYTON sealing rings (for ductile cast iron pipes)
- With GKS sealing rings (for PVC and PE-HD pipes)

Field of Application

- Underground installation

**Note**

For proper installation and safe operation please follow the installation and operation instructions:
KAT-B 5210

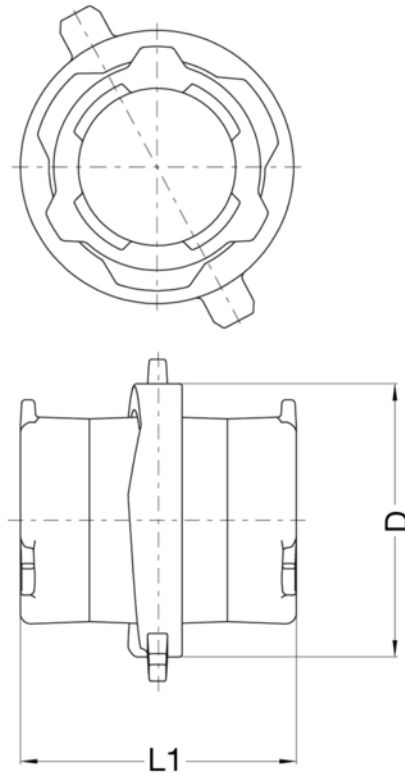
Field of application

DN	PN	Maximum operating pressure [bar]	Maximum operating temperature for neutral liquids [°C]
100...150	16	16	50

Pressure test to EN 545

Test pressure with water [bar]
25

Drawing



Technical data

PN 16

DN		100	150
D	[mm]	212	264
L1	[mm]	215	228
Weight approx.	[kg]	11.00	16.50
Volume approx.	[m ³]	0.008	0.014