



**PN 10 - DN 50...300**

KAT-A 2427-HR

### Product characteristics and benefits

- With flange end acc. to EN 1092-2, PN 10
- Compact, one-piece monoblock housing
- Completely chambered knife
- New sealing principle - no horizontal sealing required
- With drain plug connection (G 1/4")
- Low torque operation, no extra gearbox required
- Preferred flow direction (see arrow in drawing)
- Preferred installation position: upright in the range of 10:00 to 2:00 o'clock
- Counter flange required for installation as end-of-line valve
- With handwheel

### Materials

- Body parts: Cast iron EN-JL 1040 (GG-25)
- Knife: Stainless steel 1.4301
- Fittings: Stainless steel A2 (DIN EN ISO 3506)
- Protection tube and connection piece: Stainless steel 1.4571
- Chambered O-ring: NBR
- Flange ring: Steel S235 JRG2
- Stem: Stainless steel 1.4021

### Corrosion protection

- Inside and outside epoxy coating

### Versions

- Standard version as described
- Gate: Stainless steel 1.4571
- Stem: Stainless steel 1.4057

### Field of Application

- Underground installation
- Chamber installation
- Installation in plants
- Waste water system



### Operation data

- Maximum back pressure
  - DN 50...100 - 10 bar
  - DN 125/150 - 8 bar
  - DN 200 - 6 bar
  - DN 250 - 4 bar
  - DN 300 - 3 bar

### Note

For proper installation and safe operation please follow the installation and operation instructions:

"Installation and Operating Instructions for Valves"

### Field of application

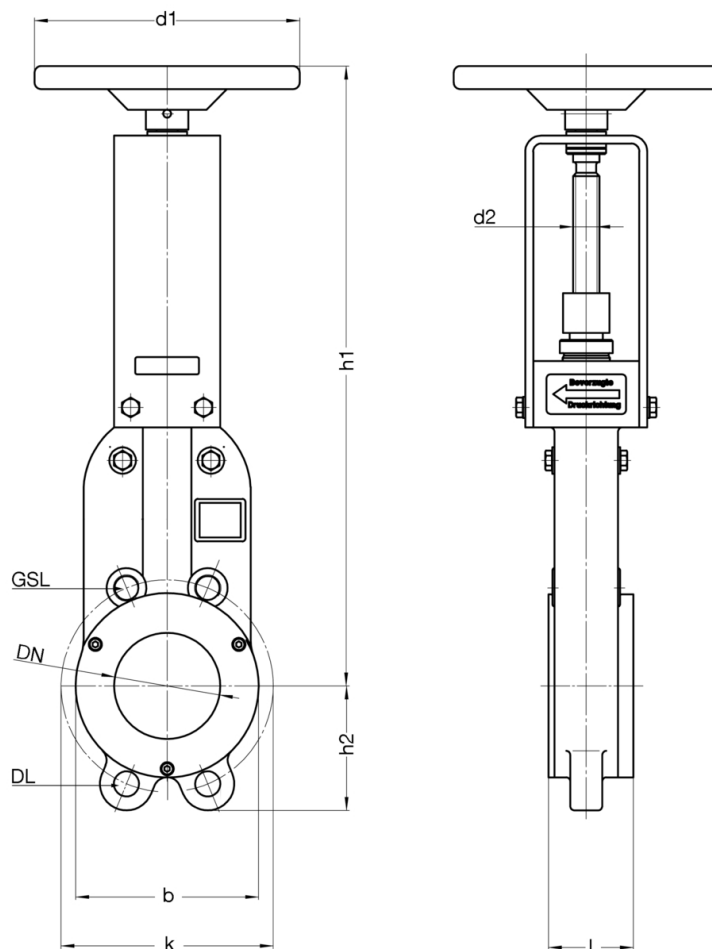
DN	PN	Maximum operating pressure [bar]	Maximum operating temperature for neutral liquids [°C]
50...300	10	10	50

### Pressure test acc. to EN 12266

Test pressure body with water [bar]	Test pressure seat with water [bar]
15	10



Drawing



Technical data

PN 10

DN	50	65	80	100	125	150	200	250	300
L [mm]	43	46	64	64	70	56	60	68	78
b [mm]	102	121	138	156	172	212	272	324	385
d1 [mm]	150	150	150	150	180	180	200	200	250
d2	20 x 8	20 x 8	20 x 8	20 x 8	20 x 8	20 x 8	20 x 8	20 x 8	20 x 8
h1 [mm]	390	430	400	480	550	650	750	930	1130
h2 [mm]	60	70	90	105	115	140	160	170	180
k [mm]	125	145	160	180	210	240	295	350	400
Flange drilling x M	4 x M16	4 x M16	8 x M16	8 x M16	8 x M16	8 x M20	8 x M20	12 x M20	12 x M20
DL	2	2	6	6	6	6	6	8	8
DL Ø	18	18	18	18	18	23	23	23	23
GSL per side	2	2	2	2	2	2	2	4	4
GSL thread	M16	M16	M16	M16	M16	M20	M20	M20	M20
Turns/stroke	12.5	16	20	25	31	37.5	50	62.5	75
Weight with handwheel approx. [kg]	9.0	10.0	13.0	14.5	19.5	21.0	30.5	47.0	66.0



Type of actuator

