



PN 6/8/10 - DN 50...600

KAT-A 2410



Product characteristics and benefits

- Face-to-face length acc. to EN 558-1, basic series 20 (DIN 3202 / K1)
- With flange end acc. to EN 1092-2, PN 10
- Full-flange design, both as wafer type and for pipeline end installation, without additional counter flange at full differential pressure
- Any installation position possible
- Full-flange design with unrestricted flow passage
- Leakproof from both flow directions
- Horizontal sealing adjustable during operation and replaceable with the valve installed in the pipeline
- Scraper installed on both sides of the plate to clean the knife
- With handwheel

Materials

- Body parts, bearing plate and gland: Cast iron EN-JL 1040 (GG 25)
- Knife: Stainless steel 1.4301
- U-sealing and horizontal sealing: Elastomer (NBR)
- Yoke - sheet metal construction (DN 50-300): Stainless steel 1.4301
- Yoke - sheet metal construction (DN 350-600): Fabricated steel with double zinc coating
- Fittings: Stainless steel A2 (DIN EN ISO 3506)
- Stem: Stainless steel 1.4021
- Stem nut: Brass

Corrosion protection

- Cast iron parts: Epoxy coating

Versions

- Standard version as described
- Gate: Stainless steel 1.4571
- Stem: Stainless steel 1.4057

Field of Application

- Chamber installation
- Installation in plants
- Waste water system

Tests and approvals

- Final inspection test acc. to EN 12266 (DIN 3230 Part 4)

Note

For proper installation and safe operation please follow the installation and operation instructions:

KAT-B 2410-HR

Field of application

DN	PN	Maximum operating pressure [bar]	Maximum operating temperature for neutral liquids [°C]
50...300	10	10	50
350...400	8	8	50
500...600	6	6	50

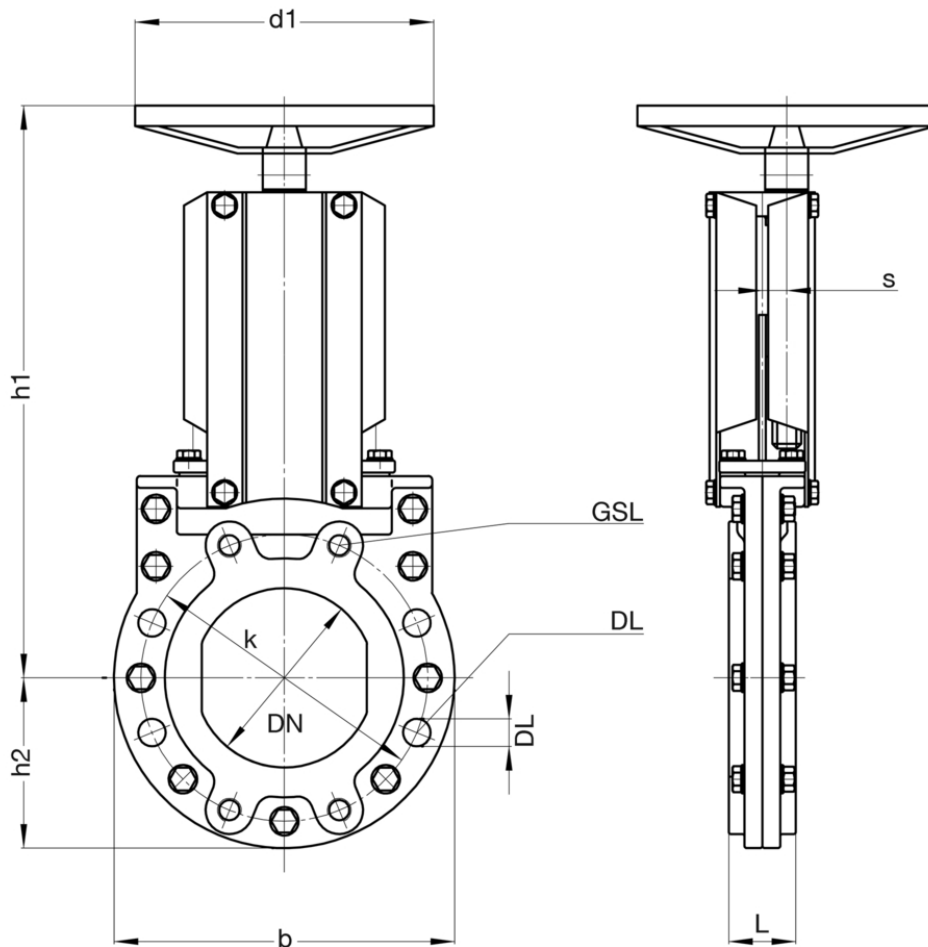
Pressure test acc. to EN 12266

Test pressure body with water [bar]	Test pressure seat with water [bar]
15	10
12	8
9	6

Tightness only ensured up to maximum admissible operating pressure



Drawing



GSL: threaded hole DL: through hole

Technical data

PN 10

DN	50	65	80	100	125	150	200	250	300
L [mm]	43	46	46	52	56	56	60	68	78
b [mm]	165	185	200	220	250	285	340	395	445
d1 [mm]	200	200	250	250	250	250	300	400	400
h1 [mm]	290	305	340	365	420	480	580	740	830
h2 [mm]	83	93	100	110	125	143	170	198	223
k [mm]	125	145	160	180	210	240	295	350	400
s [mm]	15	15	17	18	18	21	22	28	29
Flange drilling x M	4 x M16	4 x M16	8 x M16	8 x M16	8 x M16	8 x M20	8 X M20	12 x M20	12 x M20
DL	-	-	4	4	4	4	4	4	4
DL Ø	-	-	19	19	19	23	23	23	23
GSL per side	4	4	4	4	4	4	4	8	8
GSL thread	M16	M16	M16	M16	M16	M20	M20	M20	M20
Turns/stroke	13	17	20	25	32	30	40	50	60
Weight with handwheel approx. [kg]	9.0	11.0	12.0	15.0	20.0	25.0	37.0	69.0	91.0



Technical data

PN 8

DN		350	400
L	[mm]	78	102
b	[mm]	505	565
d1	[mm]	400	400
h1	[mm]	930	1030
h2	[mm]	253	283
k	[mm]	460	515
s	[mm]	29	33
Flange drilling x M		16 x M20	16 x M24
DL		6	6
DL Ø		23	26
GSL per side		10	10
GSL thread		M20	M24
Turns/stroke		70	67
Weight with handwheel approx.	[kg]	134.0	164.0

PN 6

DN		500	600
L	[mm]	127	154
b	[mm]	670	780
d1	[mm]	500	600
h1	[mm]	1250	1430
h2	[mm]	335	390
k	[mm]	620	725
s	[mm]	40	40
Flange drilling x M		20 x M24	20 x M27
DL		6	6
DL Ø		26	30
GSL per side		14	14
GSL thread		M24	M27
Turns/stroke		84	100
Weight with handwheel approx.	[kg]	280.0	370.0



Type of actuator

