



PN 6/10 - DN 40...300

KAT-A 1162-E-F4



Product characteristics and benefits

- Metallic sealing in accordance with EN 1171 (similar to DIN 3352 - Parts 2 and 3)
- Face-to-face length acc. to EN 558-1, basic series 14 (DIN 3202, F4)
- With flange ends on both sides acc. to EN 1092-2
- Stem thread inside
- With handwheel
- Maintenance-free stem sealing
- With O-ring sealing

Materials

- Body: Cast iron EN-JL 1040 (GG-25)
- Bonnet: Cast iron EN-JL 1040 (GG-25)
- Wedge: Cast iron EN-JL 1040 (GG-25)
- Bonnet bolts: Stainless steel A2 (DIN EN ISO 3506)
- Body and wedge seat rings: Stainless steel 1.4301
- O-rings: Viton (200°C/392°F)
- Stem: Stainless steel 1.4021
- Stem nut: Cast iron EN-JL 1040 (GG-25)
- Stem bearing: Cast iron EN-JL 1040 (GG-25)

Corrosion protection

- Inside and outside synthetic resin varnish coating

Versions

- Standard version as described
- Basic version pressure rating PN 10, flanges PN 6 drilled
- With drain plug

Field of Application

- Underground installation
- Chamber installation
- Installation in plants

Tests and approvals

- Final inspection test acc. to EN 12266 (DIN 3230 Part 4)

Accessories

- Extension spindle
- SERIO[®]plus position indicator

Note

For proper installation and safe operation please follow the installation and operation instructions:

“Installation and Operating Instructions for Valves”

Field of application

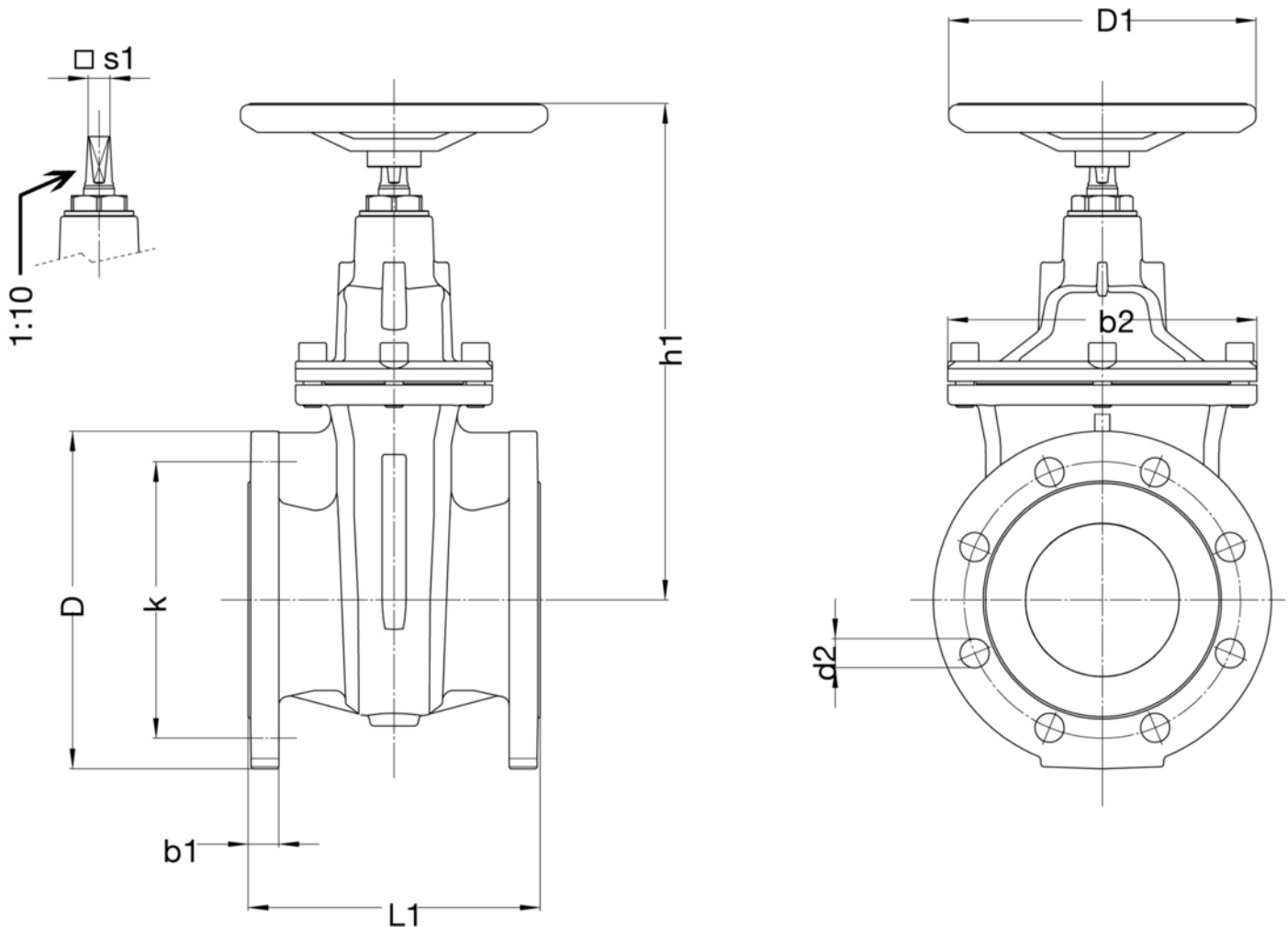
DN	PN	Maximum operating pressure [bar]	Maximum operating temperature for neutral liquids [°C]
40...300	10	10	120
40...300	10	9	150
40...300	10	8	200
40...300	6	6	120
40...300	6	5.4	150
40...300	6	4.8	200

Pressure test acc. to EN 12266

Test pressure body with water [bar]	Test pressure seat with water [bar]
15	11
15	11
15	11
9	6.6
9	6.6
9	6.6



Drawing



Technical data

PN 10

DN		40	50	65	80	100	125	150	200	250	300
D	[mm]	150	165	185	200	220	250	285	340	395	445
D1	[mm]	150	150	150	150	200	200	200	200	300	300
L1	[mm]	140	150	170	180	190	200	210	230	250	270
b1	[mm]	18	20	20	22	24	26	26	26	28	28
b2	[mm]	140	140	176	176	201	238	263	340	388	445
d2	[mm]	19	19	19	19	19	19	23	23	23	23
h1	[mm]	225	235	280	280	330	380	420	505	595	675
k	[mm]	110	125	145	160	180	210	240	295	350	400
s1	[mm]	12	12	12	12	14	14	14	14	19	19
No. of holes		4	4	4	8	8	8	8	8	12	12
Turns/stroke		14	16	20	24	29	29	34	45	54	66
Weight approx.	[kg]	9.50	11.00	15.50	17.00	23.00	33.50	42.00	61.50	95.00	127.00
Volume approx.	[m ³]	0.006	0.007	0.011	0.013	0.018	0.025	0.033	0.052	0.078	0.107

VAG IKO®plus Gate Valve with non-rising stem
 metallic sealing - short face-to-face length -
 stainless steel - with handwheel



Water

Technical data

PN 6

DN		40	50	65	80	100	125	150	200	250	300
D	[mm]	150	165	185	200	220	250	285	340	395	445
D1	[mm]	150	150	150	150	200	200	200	200	300	300
L1	[mm]	140	150	170	180	190	200	210	230	250	270
b1	[mm]	18	20	20	22	24	26	26	26	28	28
b2	[mm]	140	140	176	176	201	238	263	340	388	445
d2	[mm]	14	14	14	19	19	19	19	19	19	23
h1	[mm]	225	235	280	280	330	380	420	505	595	675
k	[mm]	100	110	130	150	170	200	225	280	335	395
s1	[mm]	12	12	12	12	14	14	14	14	19	19
No. of holes		4	4	4	4	4	8	8	8	12	12
Turns/stroke		14	16	20	24	29	29	34	45	54	66
Weight approx.	[kg]	9.50	11.00	15.50	17.00	23.00	33.50	42.00	61.50	95.00	127.00
Volume approx.	[m ³]	0.006	0.007	0.011	0.013	0.018	0.025	0.033	0.052	0.078	0.107