



PN 16 - DN 80...300

KAT-A 1013-MU-MU



Product characteristics and benefits

- Resilient seated in accordance with EN 1074
- With socket connection on both sides
- Boltless bonnet with pressure supported sealing system
- Low torque due to plastic sliding caps on the wedge
- Double function socket type for internal and external bayonet locking acc. DIN 28603
- Corrosion-resistant due to boltless connection
- Pull-out proof due to positive connection and friction-locked connection
- Short assembly times due to easy assembly or disassembly
- Stress-free laying due to flexibility of inclination up to +/- 3°
- Variable use for ductile cast iron pipes or plastic pipes due to easy replacement of sealing ring
- Maintenance-free and corrosion-resistant stem sealing
- With O-ring sealing
- Low wear due to wedge guiding and elongated stem bearing
- Suitable for vacuum of up to 90%

Materials

- Body: Ductile cast iron EN-JS 1030 (GGG-40)
- Bonnet: Ductile cast iron EN-JS 1030 (GGG-40)
- Wedge: Ductile cast iron EN-JS 1030 (GGG-40) all around EPDM vulcanized
- Stem: Stainless steel 1.4021
- Stem nut: Brass

Corrosion protection

- Inside and outside epoxy coating acc. to GSK guidelines

Versions

- Standard version as described
- With TYTON sealing rings (for ductile cast iron pipes)
- With GKS sealing rings (for PVC and PE-HD pipes)

Field of Application

- Underground installation

Tests and approvals

- Final inspection test acc. to EN 12266 (DIN 3230 Part 4)
- DVGW tested and registered
- Elastomers approved acc. to W270

Accessories

- T-key
- Installation equipment
- Extension spindle
- Surface box cast iron
- Plastic base plate
- SERIO®plus position indicator

Note

For proper installation and safe operation please follow the installation and operation instructions:

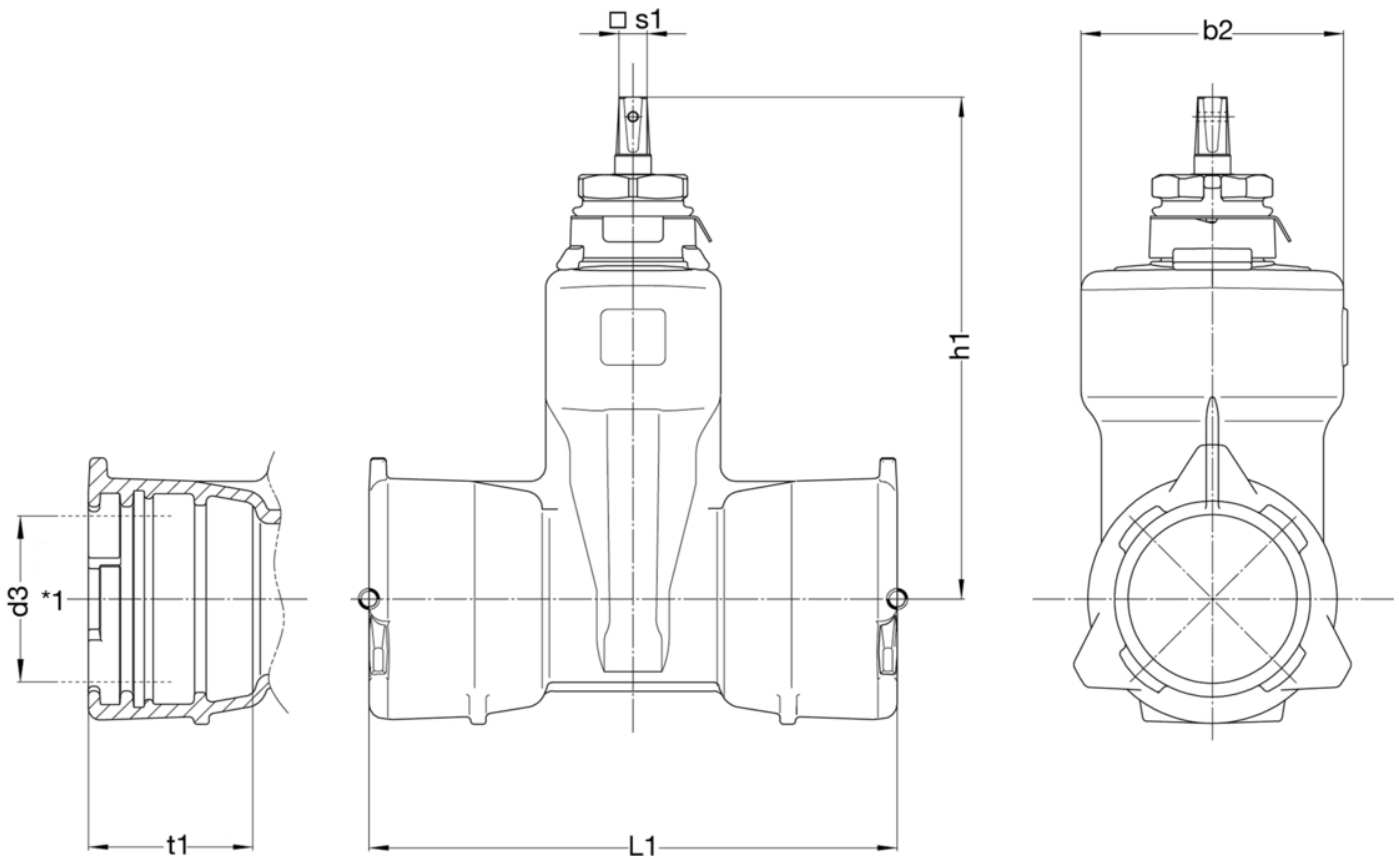
KAT-B 5210

Field of application

DN	PN	Maximum operating pressure [bar]	Maximum operating temperature for neutral liquids [°C]
80...300	16	16	50

Pressure test acc. to EN 12266

Test pressure body with water [bar]	Test pressure seat with water [bar]
24	17.6


Drawing


*1: Diameter of ductile cast iron pipe

Technical data
PN 16

DN		80	100	125	150	200	250	300
L1	[mm]	333	355	374	387	420	470	537
b2	[mm]	160	174	220	245	320	396	471
d3	[mm]	98	118	144	170	222	274	326
h1	[mm]	280	334	379	417	523	662	755
s1	[mm]	17	19	19	24	24	27	27
t1	[mm]	105	110	115	115	125	174	198
Turns/stroke		20	20	25	30	34	43	51
Weight approx.	[kg]	16.50	23.00	28.50	40.00	58.00	105.00	162.00
Volume approx.	[m ³]	0.020	0.020	0.040	0.050	0.090	0.150	0.230