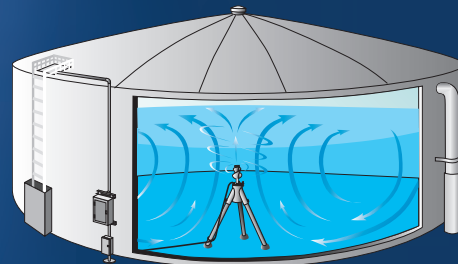


PAX Water Mixer (PWM400) Product Specifications



Using a PAX Water Mixer will...

- Lower DBP Production
- Reduce Nitrification Risk
- Prevent Ice Damage



PAX Water Mixer circulates residual throughout the entire tank.

...and is more economical and reliable than Deep Cycling, Draft Tube Mixers and Passive Nozzles.

- Smallest Footprint (Easy Installation)
- Low Energy Requirements (Solar or Grid Powered)
- SCADA Ready
- Optional Chemical Injection System

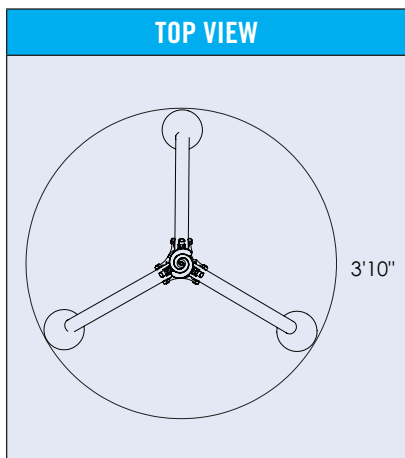
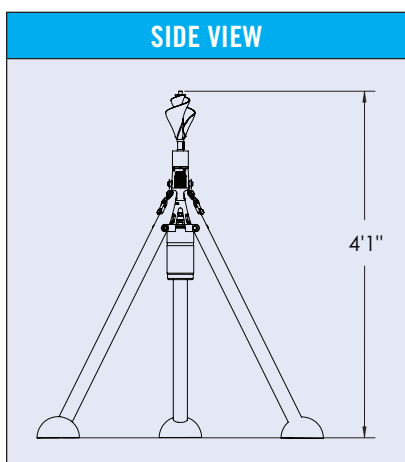
Find out how a PAX Water Mixer can help you.
Call our Water Quality Specialists today at **1-866-729-6493**
or visit www.paxwater.com



PAX Water Mixer (PWM400)

Product Specifications

The PAX Water Mixer is an active, submersible mixing system for cost-effective management of drinking water quality in storage tanks and reservoirs. The mixer installs easily without service disruptions or tank modifications, and mixes on-demand to rapidly eliminate stratification, uniformly distribute disinfectants and prevent conditions favorable to nitrification. Efficient and effective mixing of large volumes is made possible by the patented impeller's characteristic axial jet which establishes a stable flow structure throughout the storage volume.



MIXER SPECIFICATIONS	
Power Supply Requirement	120/240 VAC, 50/60 Hz, 15 amp circuit
Customer Supplied Power Switch	3R, fused, safety disconnect switch
Motor Type	115-230 VAC, water-filled, water-lubricated
RPM	1200
Nominal Power Draw	0.345 kVA (345 watts)
Impeller Specifications	316 stainless steel 8.3" (21.1 cm) tall x 4.5" (11.4 cm) diameter
Footprint Diameter	3' 10" (1.17 m)
Height	4' 1" (1.24 m)
Weight: Mixer Assembly	53 lbs (24 kg)
Weight: Control Center	29.5 lbs (13.4 kg)
Material: Control Center	Powder-coated carbon steel, 3R enclosure
Material: Stand	316 stainless steel
Material: Motor Seals	Chlorine/chloramine-resistant NBR rubber
Material: Feet	Chlorine/chloramine-resistant EPDM rubber
Wiring	NSF 61 & UL-listed submersible pump cable 14 AWG (2.1 mm ²) XLPE



Find out how a PAX Water Mixer can help you.
Call our Water Quality Specialists today at **1-866-729-6493**
or visit **www.paxwater.com**

Metaval
P.O. Box 1093, Croydon, 3136, Australia.
Tel: (03) 9761 4000 Fax: (03) 9761 4006
EMAIL: controls@metaval.com.au
Suppliers of Process Equipment

PAX
WATER TECHNOLOGIES™