

Product features

- electronic torque setting by means of stage-selector switch, 4 stages can be set from 30 to 230 Nm
- soft start for jerk-free start
- high operation reliability due to damping in
 - The final positions
 - Two hand control
 - Plug with DI protection
 - And overload safety cutout
- Reversible for clockwise and anti-clockwise rotation
- Electronic counter with forward and reverse counting and digital display
- Electric data: voltage 230 V, AC, input 1800 W, output 1300 W
- Weight: 11 kg incl. actuating bar
- CE- test character
- Safety guideline (EMV-guideline)

Materials

- Engine- and gear-body of aluminium, corrosion- and abrasion-resistant due to consolidated surface, handles of plastic (glas fibre reinforced, shaped ergonomic)
- Actuating bar of stainless steel
- Coupling of ductile cast iron, galvanized

Field of application

- For comfortable operating of shut-off valves, butterfly valves and underground hydrants

Versions

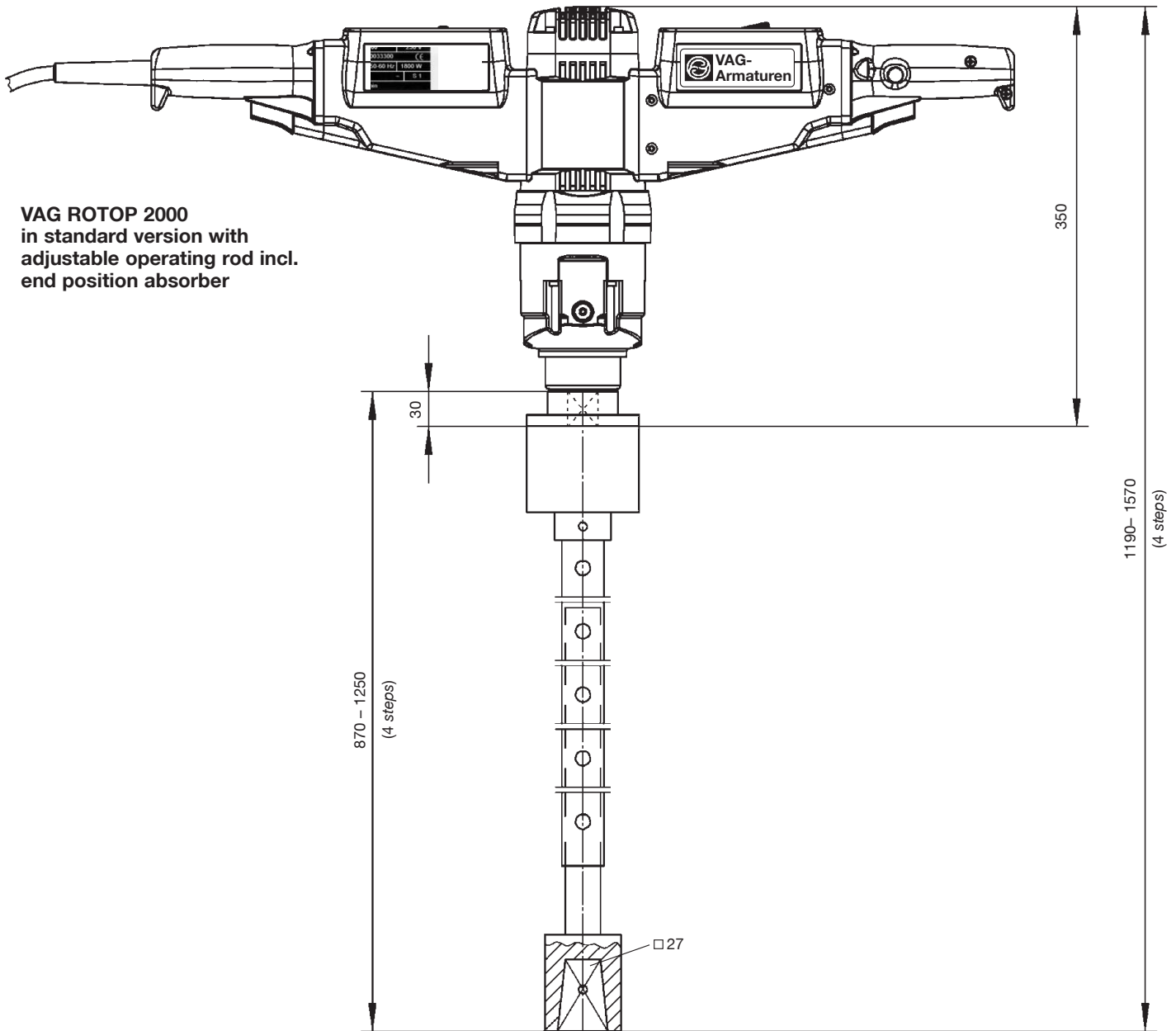
- Basic machine for ground mounted valves, incl.
 - Actuating bar (adjustable from 800 - 1200 mm), end cushioning and coupling with connection shank 27 mm
 - 4 meters connection cable with DI-overload safety cutout
- Transport case of sheet steel for complete machine and coupling set
- Coupling set (also as set in a sheet steel case) for connection on valves with ...
 - Shank 12 / 14 / 17 / 19 / 24 and 27 mm
 - Shafts-Ø 16 / 20 und 30 mm- incl. end cushioning
- Generator with transport car (unleaded petrol)
- Actuator column

On request

- Actuating bar (adjustable) with end cushioning and coupling with shank 27 mm, as a device
- Actuation bars, single, in different lengths
- Single couplings



Dimensions in mm



VAG ROTOP 2000
in standard version with
adjustable operating rod incl.
end position absorber

